



Gen2Config

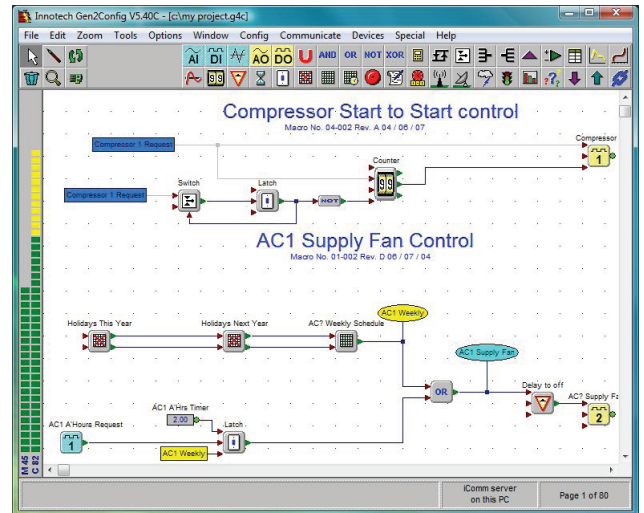
Graphical Configuration Utility for the Genesis II Digital Controller

Overview

Gen2Config is the configuration tool for Innotech® Genesis II Digital Controllers. **Gen2Config** allows you to internally configure a Genesis II Direct Digital Controller or a Genesis II Mid Points Controller by using a simple point-and-click approach on a PC running Windows®.

Features

- 40 function block types, ranging from a simple OR gate to a more complex Scheduler or PID function.
- Free text available to clarify parts of your configuration
- Auto-routing of line connections
- Comprehensive colour and options configuration
- Supports use of labels to reduce direct line connections
- Automatically saves your work in backup file
- Macro facility allows pasting of pre-drawn sections of a configuration
- Produces estimates of Genesis II Digital Controller resources required by a configuration
- Provides a graphical printout of your configuration in colour or monochrome
- Uses context-sensitive line colours to aid in the detection of design errors
- Prints Genesis II Digital Controller wiring diagram automatically from your configuration
- Fully featured Analogue Input sensor configuration utility built-in
- Automatically prints materials listing
- Powerful search and replace mechanism for objects in your configuration
- Allows zooming and panning of your display
- Full support for dial-in remote access via a modem or network connection
- Very comprehensive on-line help and user documentation
- Uses disk caching to speed up transfer to and from Genesis II Digital Controllers
- Includes facility to export the wiring diagram to the standard WMF format for CAD packages



Applications

- Internal configuration of the Innotech Genesis II Direct Digital Controller or Genesis II Mid Points Controller
- Configuration of modem connected directly to a Genesis II Digital Controller.
- Network testing of a Genesis II Digital Controller network
- Configuration of the Innotech Modem Printer Interface

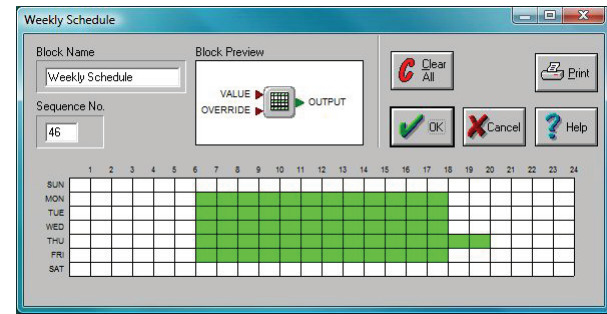
Specifications

- Distributed on one CD
- Is supported by Windows® Vista Business 32-bit & XP Professional 32-bit
- Minimum PC specifications:
Intel® Pentium® III/500MHz or compatible CPU. 256 megabytes (MB) of RAM. 100 megabytes (MB) of available hard disk space. Video adapter and monitor. CD-ROM or DVD drive. Keyboard and Microsoft® Mouse or compatible pointing device.
- Uses **Innotech iComm Server** to access devices
- Requires customer registration on installation
- Upgrade versions available on request

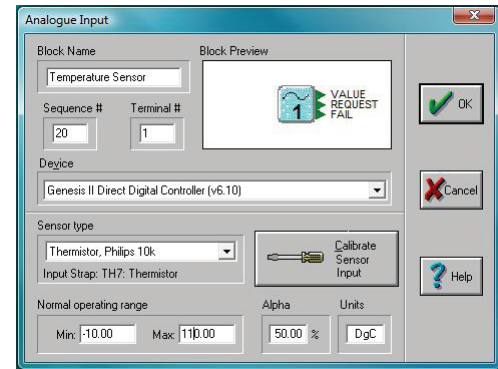
Simple yet Powerful!

Gen2Config uses block programming to program a configuration for the Genesis II Digital Controller. The configuration specifies which inputs of the Genesis II Digital Controller are related to which outputs and the processing blocks in between.

Within minutes, you can construct a fully-featured control program and transfer it to your Genesis II Digital Controller. *Gen2Config* is also able to read back a configuration from any Genesis II Digital Controller and display it on the screen complete with all lines, labels and text ready for editing.



Some blocks are configured differently to others...



Product compatibility

Gen2Config is fully compatible with Windows® Vista Business 32-bit and Windows XP Professional 32-bit. *Gen2Config* operates seamlessly with the full range of Innotech software, on a supported Windows Operating System.

Gen2Config contains a wide variety of control functions, ranging from the simple digital logic functions of AND, OR and NOT to more complex blocks such as a scheduler, timer or humidity calculation. In all, the 40 blocks available can be combined in countless ways to produce configurations tailored precisely to your needs.

Easily configure your blocks

Just double-click on any of the blocks in your configuration, and the block dialogue box will appear in which you can tune the operation of your block.

Full networking support

Gen2Config is designed to work with not only a single Genesis II Digital Controller, but also a network of Genesis II Digital Controllers. It allows you to view a list of controllers currently on the network and communicate with any one of them.

