



Gen2Mon

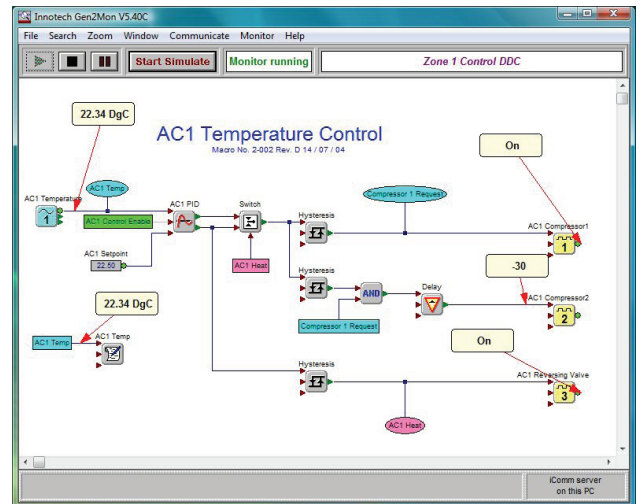
Monitoring and Debugging Utility for the Genesis II Digital Controller

Overview

Gen2Mon is a monitoring and debugging utility designed to help with commissioning and trouble-shooting a Genesis II Digital Controller. It displays the configuration which resides on a Genesis II Digital Controller and allows the user to inspect, trend or modify the value at any of the points in the configuration while the controller is running.

Features

- Supported by Windows® Vista Business 32-bit & XP Professional 32-bit, allowing access to windowing functions and multitasking - you can run other programs at the same time as *Gen2Mon*.
- Allows inspection of the value at any point on the configuration simply by pointing at the point of interest with the mouse
- Full zooming and panning of your display
- Trending of up to 5 values simultaneously in separate windows
- Values at any point in the configuration can be displayed in a separate window which is updated continuously. Up to 20 of these windows can be visible on the screen at any time
- Facility to pause monitoring and freeze all values displayed on the screen for analysis, including trend windows. When monitoring is re-started, the trend windows are updated with all information accumulated during the pause.
- Simulation facility to simulate the value of Inputs on the controller - a feature which is essential in this type of application
- All major Genesis II communications functions are supported, including System Settings, Password change, Network test and Network searching
- Consistent in operation and display with the configuration utility, *Gen2Config*
- Full support for dial-in remote access via a modem or network connection
- Very comprehensive on-line help and user documentation
- Disk caching used to speed up transfer to and from Genesis II Digital Controllers
- Allows internal configuration of any block on the configuration, even while the controller is still running



Applications

- Inspection and trending of variables and I/O points within a Genesis II controller during operation
- Debugging and tuning of a Genesis II Digital Controller configuration during operation
- Simulation and/or calibration of Genesis II Digital Controller inputs
- Changing system variables

Specifications

- Distributed on one CD
- Is supported by Windows® Vista Business 32-bit & XP Professional 32-bit
- Minimum PC specifications:
Intel® Pentium® III/500MHz or compatible CPU. 256 megabytes (MB) of RAM. 100 megabytes (MB) of available hard disk space. Video adapter and monitor. CD-ROM or DVD drive. Keyboard and Microsoft® Mouse or compatible pointing device
- Upgrade versions available on request
- Uses *Innotech® iComm Server* to access devices
- Requires customer registration on installation

Simulate Inputs with *Gen2Mon*

Gen2Mon allows the user to simulate the value of any of its Analogue or Digital inputs. With the click of a mouse button, you can artificially raise or lower the room temperature input to the Genesis II Digital Controller and analyse how your configuration handles the change. Alternatively, you can instantly force a digital input ON or OFF. The simulation facility will play an important role in the real-time fine-tuning.

Calibrate Inputs with *Gen2Mon*

Gen2Mon provides the facility to adjust the internal settings of any block on the configuration while the Genesis II Digital Controller is still running. Calibration of your Analogue Inputs is now made even easier: by using *Gen2Mon* to adjust the calibration values of Analogue Inputs within seconds of their measurement, the user can obtain immediate feedback of the accuracy of your calibrations.

Trend values with *Gen2Mon*

Any point on your configuration can be trended to graphically display a running history of its value. The trend graph for a point can be set to display in either digital or analogue mode, while the trend window can be moved, re-sized, re-scaled or re-coloured with ease! You can even move your cursor along any point in the trend window and display the value at that point in time.

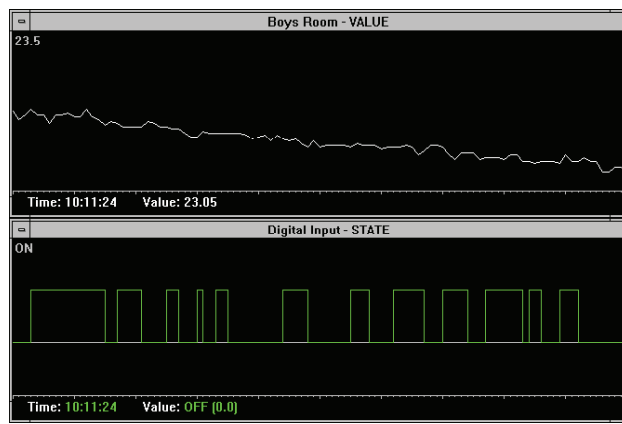
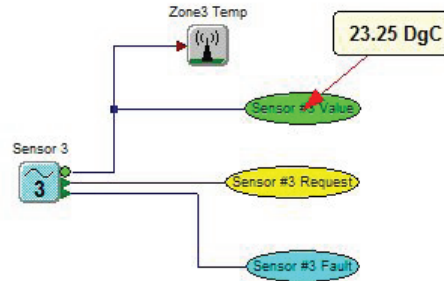
Full networking support

Gen2Mon is designed to work with not only a single Genesis II Digital Controller, but also a network of Genesis II Digital Controllers. It allows you to view a list of Genesis II Digital Controllers currently on the network and communicate with any one of them.

Product compatibility

Gen2Mon is fully compatible with Windows® Vista Business 32-bit and XP Professional 32-bit. *Gen2Mon* operates seamlessly with the full range of Innotech software, on a supported Windows Operating System.

Zone #3 - Conference Room (rear)



Debug your configurations with *Gen2Mon*

Gen2Mon uses the same user-friendly approach to its operation as its Genesis II counterpart, *Gen2Config*. At a glance, you can see the configuration within one of your Genesis II Digital Controllers and easily inspect the values at any point on the configuration or adjust the internal settings of any of the blocks - all while the controller is in operation! If you discover that an output is not operating as it should, you can trace through your configuration on the screen until you find the point at which the operation is failing.



Australian Owned, Designed & Manufactured
by Mass Electronics Brisbane

Phone: + 61 7 3841 1388 Fax: + 61 7 3841 1644
Email: sales@innotech.com.au www.innotech.com.au

YOUR DISTRIBUTOR